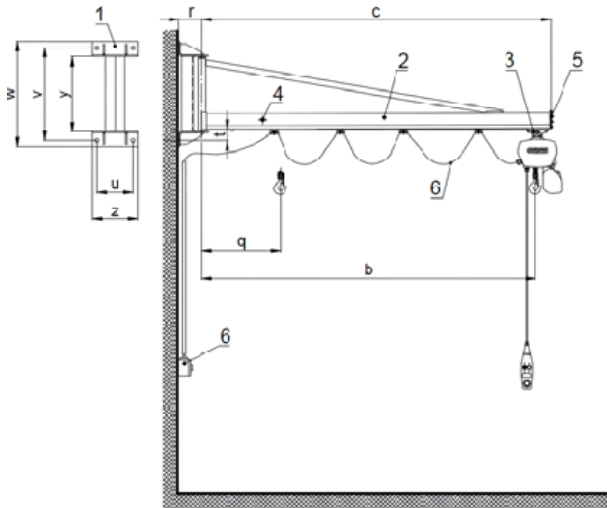


# KONZOLNI ŽERJAVI

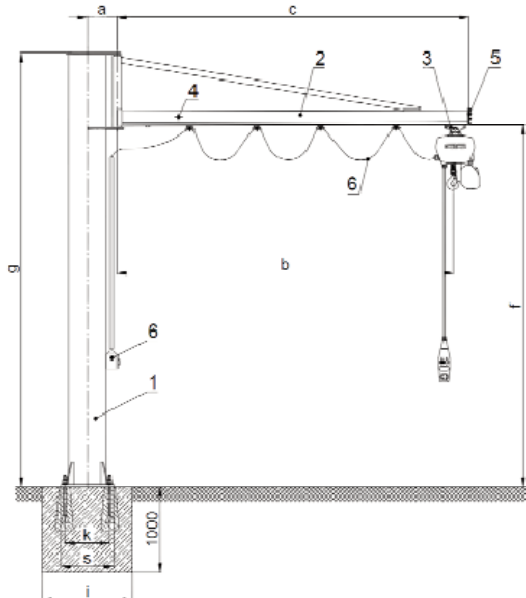
## STENSKO KONZOLNO DVIGALO Z ZATEGO



- 1) Pritrdilna konzola
  - 2) Žerjavna roka
  - 3) Voziček
  - 4) Omejevalnik gibanja
  - 5) Pokrov z blažilcem
  - 6) Električna oprema
- enostavna zgradba
  - robustna izvedba
  - z oblikovanim profilom GISKS I + II ali IPE profilom
  - enostavna montaža
  - vsestranska uporaba v industriji

Območje vrtenja žerjavne roke znaša 180°.

## STEBRNO KONZOLNO DVIGALO Z ZATEGO



- 1) Steber
  - 2) Žerjavna roka
  - 3) Voziček
  - 4) Omejevalnik gibanja
  - 5) Pokrov z blažilcem
  - 6) Električna oprema
- enostavna zgradba
  - robustna izvedba
  - z oblikovanim profilom GISKS I + II ali IPE profilom
  - enostavna montaža
  - vsestranska uporaba v industriji

Območje vrtenja žerjavne roke znaša 270°.

Stenska in steburna konzolna dvigala so načrtovana v skladu s Pravilnikom o varnosti strojev in harmoniziranimi standardi.

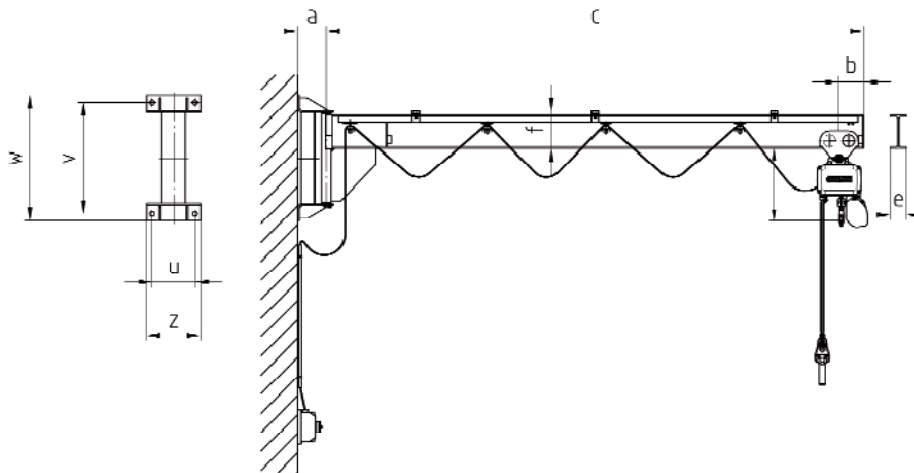
Žerjavi so lahko opremljeni z elektro verižnimi dvigali z ročnim ali elektro vozičkom kot tudi z ročnimi verižnimi dvigali.

Območje nosilnosti **od 125 kg do 2000 kg**.

Sidranje stebrih žerjavov je lahko s sidrnimi vijaki in armiranim betonskim temeljem B25 ali z povečano podložno ploščo in sidrano s HILTI vijaki (lepljenje).

# KONZOLNI ŽERJAVI

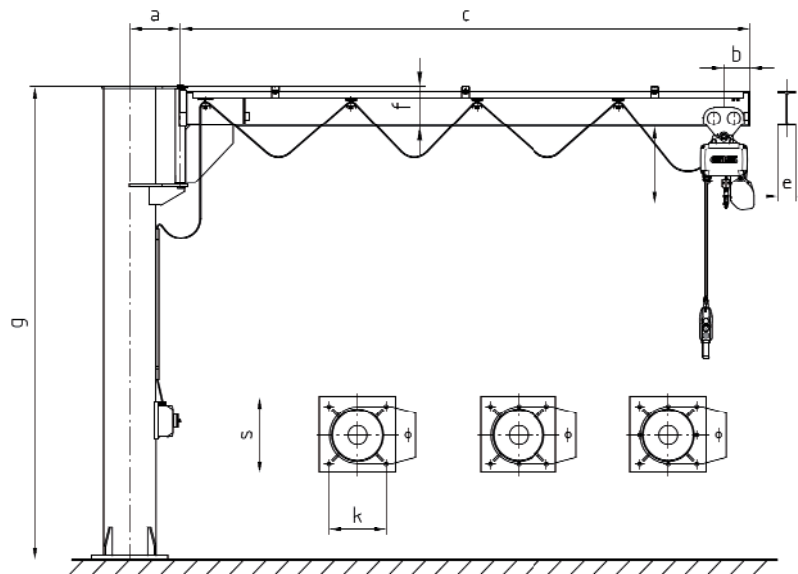
## STENSKO KONZOLNO DVIGALO



| nosilnost<br>kg | Dolžina c<br>mm | a   | b   | u   | v    | w    | z   | vijaki  | konzola |         |
|-----------------|-----------------|-----|-----|-----|------|------|-----|---------|---------|---------|
|                 |                 |     |     |     |      |      |     |         |         | mm      |
| 125             | 2000            | 160 | 130 | 240 | 620  | 700  | 300 | 4 x M24 | IPE 160 |         |
|                 | 3000            | 160 | 130 | 240 | 620  | 700  | 300 |         |         |         |
|                 | 4000            | 160 | 130 | 240 | 620  | 700  | 300 |         |         |         |
|                 | 5000            | 185 | 130 | 340 | 1020 | 1100 | 400 | 4 x M27 |         |         |
| 200             | 2000            | 160 | 130 | 240 | 620  | 700  | 300 | 4 x M24 | IPE 160 |         |
|                 | 3000            | 160 | 130 | 240 | 620  | 700  | 300 |         |         | IPE 180 |
|                 | 4000            | 185 | 130 | 340 | 1020 | 1100 | 400 | 4 x M27 | IPE 180 |         |
|                 | 5000            | 185 | 130 | 340 | 1020 | 1100 | 400 |         |         | IPE 240 |
| 250             | 2000            | 160 | 130 | 240 | 620  | 700  | 300 | 4 x M24 | IPE 160 |         |
|                 | 3000            | 160 | 130 | 240 | 620  | 700  | 300 |         |         | IPE 180 |
|                 | 4000            | 185 | 130 | 340 | 1020 | 1100 | 400 | 4 x M27 | IPE 200 |         |
|                 | 5000            | 185 | 130 | 340 | 1020 | 1100 | 400 |         |         | IPE 240 |
| 400             | 2000            | 160 | 150 | 240 | 620  | 700  | 300 | 4 x M24 | IPE 160 |         |
|                 | 3000            | 185 | 150 | 340 | 1020 | 1100 | 400 | 4 x M27 | IPE 200 |         |
|                 | 4000            | 185 | 150 | 340 | 1020 | 1100 | 400 |         |         | IPE 200 |
|                 | 5000            | 185 | 150 | 340 | 1020 | 1100 | 400 |         |         | IPE 300 |
| 500             | 2000            | 160 | 150 | 240 | 620  | 700  | 300 | 4 x M24 | IPE 180 |         |
|                 | 3000            | 185 | 150 | 340 | 1020 | 1100 | 400 | 4 x M27 | IPE 200 |         |
|                 | 4000            | 185 | 150 | 340 | 1020 | 1100 | 400 |         |         | IPE 220 |
|                 | 5000            | 185 | 150 | 340 | 1020 | 1100 | 400 |         |         | IPE 300 |
| 630             | 2000            | 185 | 150 | 340 | 1020 | 1100 | 400 | 4 x M27 | IPE 180 |         |
|                 | 3000            | 185 | 150 | 340 | 1020 | 1100 | 400 |         |         | IPE 200 |
|                 | 4000            | 185 | 150 | 340 | 1020 | 1100 | 400 |         |         | IPE 240 |
|                 | 5000            | 185 | 150 | 340 | 1020 | 1100 | 400 |         |         | IPE 300 |
| 800             | 2000            | 185 | 160 | 340 | 1020 | 1100 | 400 | 4 x M27 | IPE 200 |         |
|                 | 3000            | 185 | 160 | 340 | 1020 | 1100 | 400 |         |         | IPE 220 |
|                 | 4000            | 185 | 160 | 340 | 1020 | 1100 | 400 |         |         | IPE 300 |
|                 | 5000            | 185 | 160 | 340 | 1020 | 1100 | 400 |         |         | IPE 300 |
| 1000            | 2000            | 185 | 160 | 340 | 1020 | 1100 | 400 | 4 x M27 | IPE 240 |         |
|                 | 3000            | 185 | 160 | 340 | 1020 | 1100 | 400 |         |         | IPE 240 |
|                 | 4000            | 185 | 160 | 340 | 1020 | 1100 | 400 |         |         | IPE 300 |
|                 | 5000            | 185 | 160 | 340 | 1020 | 1100 | 400 |         |         | IPE 330 |

# KONZOLNI ŽERJAVI

## STEBRNO KONZOLNO DVIGALO



| nosilnost<br>kg | Dolžina c<br>mm | b   | g    | k   | s   | Sidrni vijaki | konzola  | Steber<br>Φ |
|-----------------|-----------------|-----|------|-----|-----|---------------|----------|-------------|
|                 |                 |     |      |     |     |               |          |             |
| 125             | 2000            | 130 | 3800 | 300 | 400 | 4 x M 16      | IPE 160  | 273         |
|                 | 3000            | 130 | 3800 | 300 | 400 |               |          |             |
|                 | 4000            | 130 | 3800 | 300 | 400 |               |          |             |
|                 | 5000            | 130 | 4200 | 425 | 500 | 4 x M 24      | IPE 180  | 324         |
| 200             | 2000            | 130 | 3800 | 300 | 400 | 4 x M 16      | IPE 160  | 273         |
|                 | 3000            | 130 | 3800 | 425 | 500 |               |          |             |
|                 | 4000            | 130 | 4200 | 425 | 500 |               | 4 x M 24 | IPE 180     |
|                 | 5000            | 130 | 4200 | 425 | 500 | IPE 240       |          |             |
| 250             | 2000            | 130 | 3800 | 300 | 400 | 4 x M 16      | IPE 160  | 273         |
|                 | 3000            | 130 | 3800 | 425 | 500 |               | 4 x M 24 |             |
|                 | 4000            | 130 | 4200 | 425 | 500 | 4 x M 24      |          | IPE 200     |
|                 | 5000            | 130 | 4200 | 425 | 500 |               | IPE 240  |             |
| 400             | 2000            | 150 | 3800 | 300 | 400 | 4 x M 16      | IPE 160  | 273         |
|                 | 3000            | 150 | 4200 | 425 | 500 | 4 x M 24      | IPE 200  | 324         |
|                 | 4000            | 150 | 4200 | 500 | 600 | 6 x M 24      | IPE 220  | 405         |
|                 | 5000            | 150 | 4200 | 500 | 600 |               | IPE 300  |             |
| 500             | 2000            | 150 | 3800 | 300 | 400 | 4 x M 16      | IPE 180  | 273         |
|                 | 3000            | 150 | 4200 | 425 | 500 | 4 x M 24      | IPE 200  | 324         |
|                 | 4000            | 150 | 4200 | 500 | 600 | 6 x M 24      | IPE 220  | 405         |
|                 | 5000            | 150 | 4200 | 500 | 600 |               | IPE 300  |             |
| 630             | 2000            | 150 | 4200 | 425 | 500 | 4 x M 24      | IPE 180  | 324         |
|                 | 3000            | 150 | 4200 | 500 | 600 | 6 x M 24      | IPE 200  | 405         |
|                 | 4000            | 150 | 4200 | 500 | 600 |               | IPE 240  |             |
|                 | 5000            | 150 | 4200 | 600 | 700 | 8 x M 27      | IPE 300  | 508         |
| 800             | 2000            | 160 | 4200 | 425 | 500 | 4 x M 24      | IPE 200  | 324         |
|                 | 3000            | 160 | 4200 | 500 | 600 | 6 x M 24      | IPE 220  | 405         |
|                 | 4000            | 160 | 4200 | 500 | 600 |               | 8 x M 27 |             |
|                 | 5000            | 160 | 4200 | 600 | 700 | IPE 300       |          | 508         |
| 1000            | 2000            | 160 | 4200 | 425 | 500 | 4 x M 24      | IPE 240  | 324         |
|                 | 3000            | 160 | 4200 | 500 | 600 | 6 x M 24      | IPE 270  | 405         |
|                 | 4000            | 160 | 4200 | 600 | 700 | 8 x M 27      | IPE 300  |             |
|                 | 5000            | 160 | 4200 | 600 | 700 |               | IPE 330  | 508         |

## KONZOLNI ŽERJAVI

